

VERSASTAR™

Brought to you by HUI

Compact cart. Infinite options.

Get short lead times and manageable quantities,
all within your budget.

Where function meets affordability.

Looking for custom cart options in a simple package? Our VersaStar™ standard cart can meet your needs. This lightweight powerhouse boasts customizable features so you don't have to compromise on function.

Add shelves, baskets, poles, or other accessories to the stable center column for modular configurations. Cables can be managed inside the column or with installed cable wraps. Customize the top surface dimensions to fit your device pattern.

VersaStar is designed with humans in mind. Our star-shaped base with five locking casters provides stability and safety, while the handle is ergonomically placed for ease of movement and finite adjustment.



Quality Construction

Built to IEC 60601-1 Standards

Manufactured on-site
in our midwest facility

Machined or casted
metal components

Compact Profile

Cart weight under 60 lbs.

24 inch base ideal for
small-scale environments

Height-adjustable
center column

Diverse Applications

Telemedicine

Diagnostic/Monitoring
Equipment

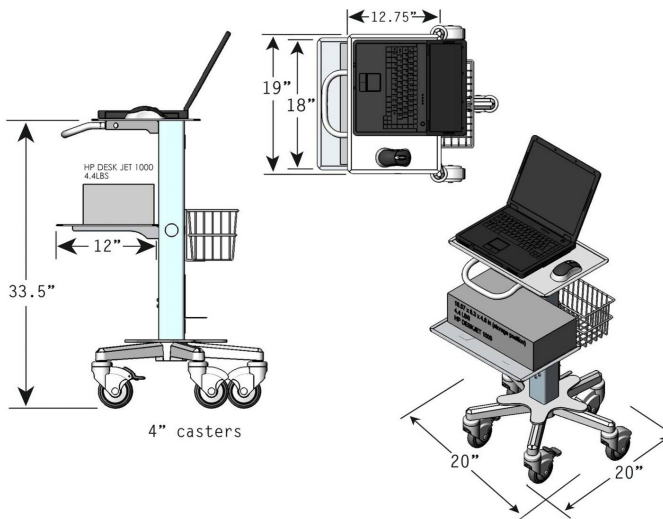
EEG/Cardiology

ENT Treatment

VERSASTAR™

Expedite your speed to market.

Contact sales@huimfg today to get started!



VersaStar Baseline Dimensions:

- Height: 33.5"
- Base: 24" x 24"
- Cart Weight: 50-60 lbs.
- Casters: 5 x 4" locking casters

Customizable Features:

- Custom top surface dimensions for device fit
- Tube handle placement and orientation
- Accessory height and orientation on column
- Professionally-matched powder-coat color and finish

Accessory Options:

- Add power brick holder or cable/cord wraps
- Multiple basket sizes and styles
- Can accommodate a variety of articulating arms
- Cylinder tank brackets, foot switches, and more

Shipping and Assembly:

- Can ship fully-assembled or in flatpacks
- Easy "two tools - ten minutes" assembly
- Packaging is engineered to minimize damage in transit

